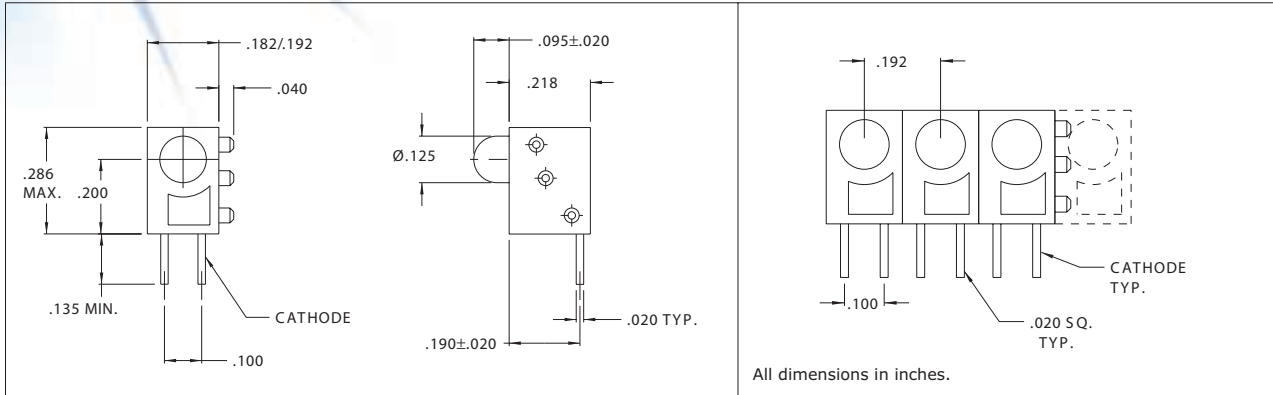


**T-1 StatusPak™ Circuit Board Indicators**  
**DESCRIPTION AND FEATURES**



Printed Circuit Board assembly has been made faster and easier than ever before. Now you can mount from one to ten circuit board indicators, as a single unit, in one easy step.

T-1 StatusPak™ is customized to your specification. You choose the number of LEDs, color sequence and position. StatusPak™ is shipped to you as a complete unit, ready for one-step PC board mounting. Unique snap-together feature allows you to add or take away StatusPak™ modules as needed without any special tooling. StatusPak™ T-1 LEDs are offered in 12 standard types. Nearly 50 more T-1 LED types are available on special order. Standard transparent T-1 LEDs with brightness intensities of up to 60mcd are offered for direct view and backlighting applications. Standard diffused T-1 LEDs are offered for status mode applications that require high brightness and wide angle viewing.

Mounting hole pattern on page 1-X3.

**ELECTRO-OPTICAL CHARACTERISTICS AND RATINGS**

Part Number	Emitted Color	Lens Color	Package Type	Luminous Intensity		Forward Voltage		Viewing Angle (degrees)	Peak Wavelength (nm)
				Min. (mcd)	Typ. (mcd)	Typ. (V)	Max. (V)		
CMC01R	H.E.Red	Clear	Non-Diffused	24.0	60.0	2.0	2.5	30	625
CMC01Y	Yellow	Clear	Non-Diffused	24.0	60.0	2.1	2.5	30	590
CMC01G	H.E.Green	Clear	Non-Diffused	24.0	60.0	2.2	2.5	30	565
CMC01S	H.E.Red	Red	Non-Diffused	8.0	25.0	2.0	2.5	30	625
CMC01Z	Yellow	Yellow	Non-Diffused	8.0	25.0	2.1	2.5	30	590
CMC01H	H.E.Green	Green	Non-Diffused	8.0	25.0	2.2	2.5	30	565
CMW01R	H.E.Red	Red	Diffused	3.2	20.0	2.0	2.5	130	625
CMW01Y	Yellow	Yellow	Diffused	3.2	12.5	2.1	2.5	120	590
CMW01G	H.E.Green	Green	Diffused	3.2	12.5	2.2	2.5	120	565
CMW01S	H.E.Red	Red	Diffused	1.0	2.0	2.0	2.5	120	625
CMW01Z	Yellow	Yellow	Diffused	1.0	2.0	2.1	2.5	120	590
CMW01H	H.E.Green	Green	Diffused	1.0	2.0	2.2	2.5	120	565